



PRINT POWER

ADD PRINT, ADD POWER

CLASSIFIED ADVERTISING INSERTION ORDER



CUSTOMER INFORMATION

Name: _____
 Address: _____
 City: _____
 State: _____ Zip: _____
 Phone: (____) _____
 E-Mail: _____

METHOD OF PAYMENT

VISA MASTERCARD DISCOVER
 CHECK/ACH INVOICE (with approval)

 Credit Card Number

 Name on Credit Card

 Address _____ Zip _____

 Expiration Date _____ Sec. Code _____

ADVERTISING COPY

Rate: 25 words: \$265 (Additional words: \$10 per word). Please print legibly.

HOW TO COUNT WORDS: Telephone numbers, including area code, are one word. Local Addresses (street address or PO Box with route number) are one word. City, State and Zip Codes are one word each. Internet addresses are one word. All other words or separate characters such as "&" count as one word each.

1 _____	2 _____	3 _____	4 _____	5 _____
6 _____	7 _____	8 _____	9 _____	10 _____
11 _____	12 _____	13 _____	14 _____	15 _____
16 _____	17 _____	18 _____	19 _____	20 _____
21 _____	22 _____	23 _____	24 _____	25 _____
26 _____	27 _____	28 _____	29 _____	30 _____
31 _____	32 _____	33 _____	34 _____	35 _____

For additional words, attach a single sheet of paper or use another advertising order form.

RUN WEEK(S) OF:

____/____/____ = \$ _____
 ____/____/____ = \$ _____
 ____/____/____ = \$ _____
 ____/____/____ = \$ _____

AD CLASSIFICATION: _____

TOTAL DUE
 \$ _____

NOTES:

DEADLINES: All ads and payments must be received at OPS by 8 a.m. on the Wednesday prior the week of insertion.
 All ads received after the deadline will automatically be published the following week.

I ACKNOWLEDGE AND APPROVE listed run dates and total amount due for this order. I further authorize Oklahoma Press to process the credit card that appears above for payment of this order.

Signed: _____

Dated: _____

For more information, contact:
LANDON COBB
(405) 499-0022 or email
lcobb@okpress.com

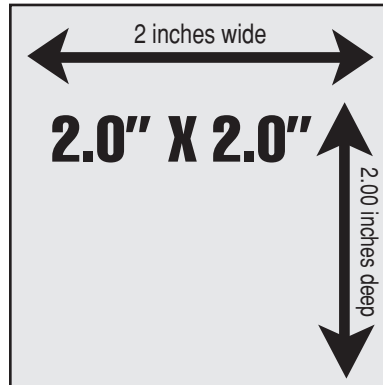
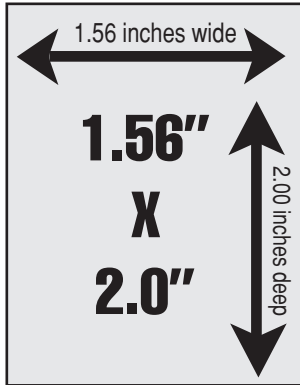
OKLAHOMA PRESS SERVICE

3601 N. Lincoln Blvd., Oklahoma City, OK 73105 • www.OkPress.com

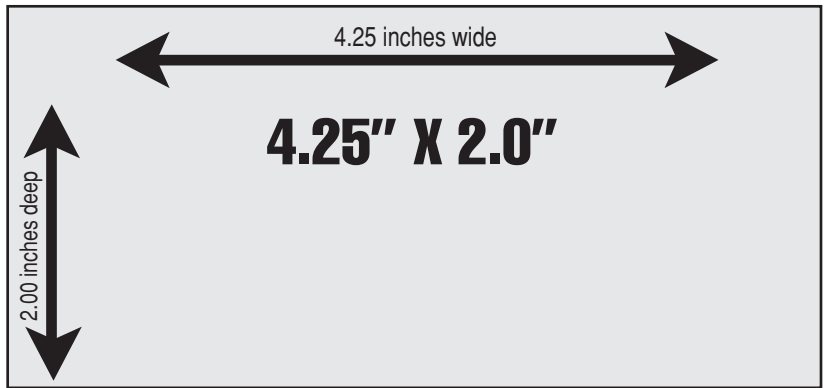
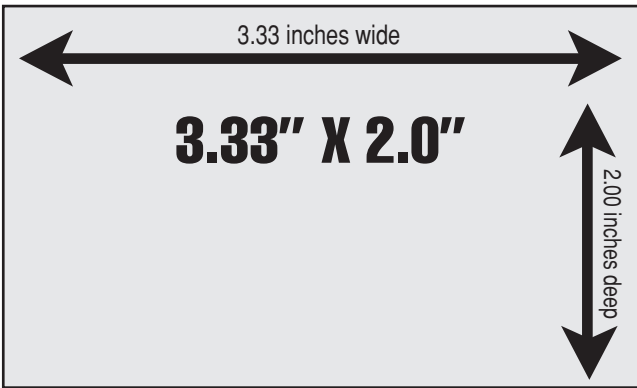
AD SIZES

Because newspapers use different column widths, your ad must be created as a PDF to fit both sizes below:

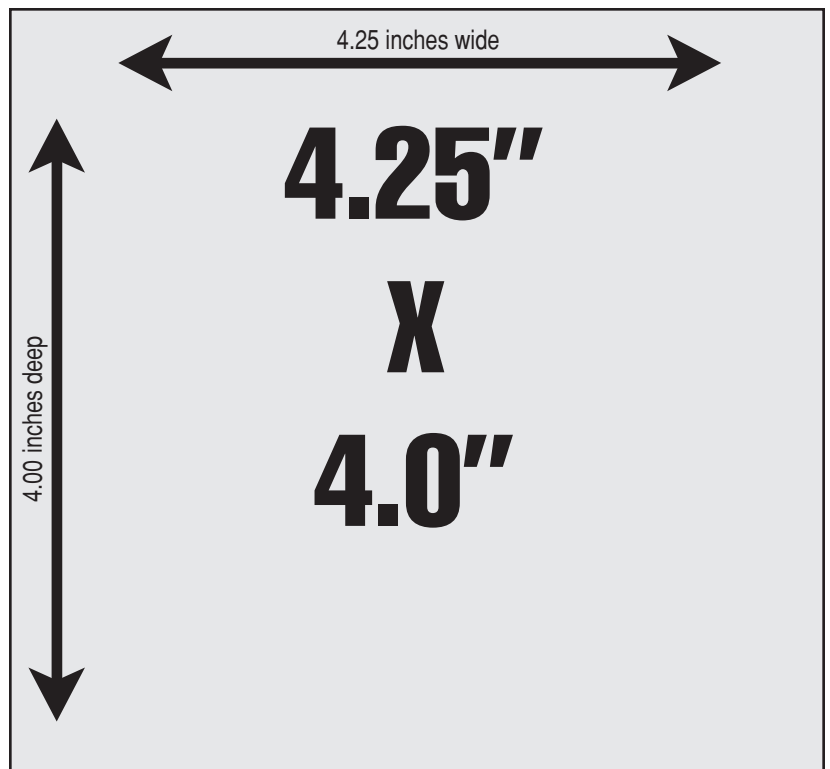
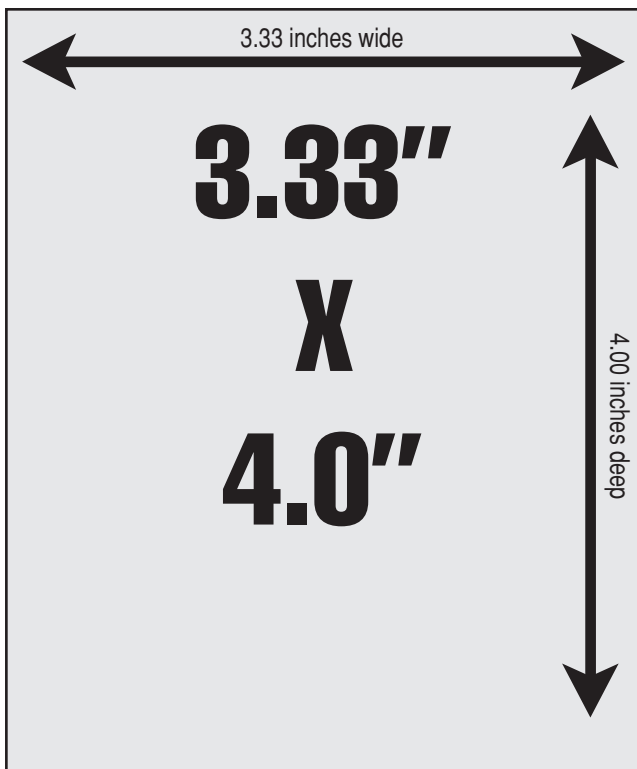
1x2



2x2



2x4





PRINT POWER

ADD PRINT, ADD POWER

REPRESENTATIONS, AGREEMENTS &
ACKNOWLEDGMENT DISCLAIMER



- Network newspapers reserve the right to reject or edit any ad copy submitted.
- All OGAN advertising distributed must include the company name, mailing and street address, and phone number. This information will be kept on file by Oklahoma Press Service and does not need to be included in the actual advertisement.
- Affidavits for verification of publication will be provided upon request. We cannot provide tearsheets due to the number of newspapers in the network.
- When counting words, use this simple rule: A word is a group of characters separated on both sides by a space. Phone numbers count as one word.
- Advertising will be rejected if it appears to be false, misleading, fraudulent, libelous, defamatory, illegal, or in poor taste, in objectionable format, or for other good cause.
- Individual newspapers reserve the right to properly classify, edit or reject advertising in compliance with local regulations and policies.
- Business opportunity and investment advertising must indicate the type of business to be invested in and the amount of investment required. All franchise offerings must be registered with the State of Oklahoma Securities Commission. Replies to a newspaper blind box or post office box will not be accepted.
- Earnings claims must be based on fact and a statement of such claims must be available on request. Statements of gross sales or net earnings are limited to those of the last accounting period.
- Employment advertising must be for a bona fide job offering and must state nature of the work offered.
- Advertising for listings of surplus government property must indicate that a fee, if any, will be charged.
- Sales help wanted advertising must not offer or appear to offer work on a salary basis when compensation is on a commission or bonus basis. When based on commission, no statement or implication of the amount that may be earned is acceptable unless it is a guaranteed wage and is followed by the word "guaranteed." Sales help want ads must state the type of product to be sold. A company that indicates the nature of the product is acceptable.
- Real Estate for Sale advertising and other advertising must comply with "Truth in Lending" guidelines when offering specific financing terms. Refer to Regulation Z of the Federal Act that became effective July 1, 1969.
- Advertising will be rejected if it is known or determined to discriminate on the basis of disability, family status, marital status, race, color, national origin, sex or age except where expressly permitted by law.
- Abbreviations should be limited to those that are standard and commonly used such as abbreviations for weights, measures, addresses (St., Ave.), days and months.
- All ads must be approved for publication. Any ads not meeting general business standards will not be accepted. All ads must be in good taste.
- Work-at-home advertisements, or advertising that offers employment through "listing publications" will not be accepted.

**For more information, contact:
LONDON COBB
(405) 499-0022 or email
lcobb@okpress.com**

OKLAHOMA PRESS SERVICE

3601 N. Lincoln Blvd., Oklahoma City, OK 73105 • www.OkPress.com
